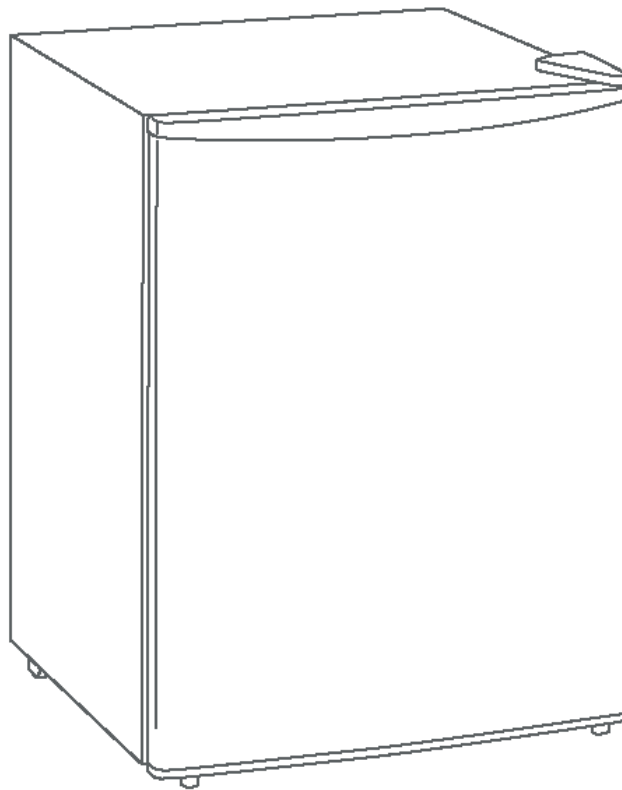




Refrigerator

User Manual



Model No.: RF-A93S

***Before operating the appliance, please read this manual and all the safety instructions thoroughly and retain it for future reference.**

This product is for indoor use only

<u>CONTENT</u>	<u>PAGE</u>
SAFETY INSTRUCTION	1
INSTALLATION INSTRUCTION	3
PARTS DESCRIPTION	4
OPERATION INSTRUCTION	5
MAINTENANCE INSTRUCTION	6
TROUBLESHOOTING	7
SPECIFICATION	8

CAUTION

- Contact the authorized service technician for repair or maintenance of the appliance.
- The appliance is not intended for use by persons (including children) with reduced physical, sensory or mental capabilities, or lack of experience and knowledge, unless they have been given supervision or instruction concerning use of the appliance by a person responsible for their safety.
- Children should be supervised to ensure that they do not play with the appliance.
- If the supply cord is damaged, stop use the product immediately, and send the product to Shun Hing Electric Service Centre Ltd. to check and repair. Do not dismount, repair or replace the parts and accessories without authorities.
- Please turn off and unplug the appliance before cleaning or maintenance.

SAFETY INSTRUCTION

IMPORTANT SAFETY INSTRUCTIONS - READ CAREFULLY AND KEEP FOR FUTURE REFERENCE

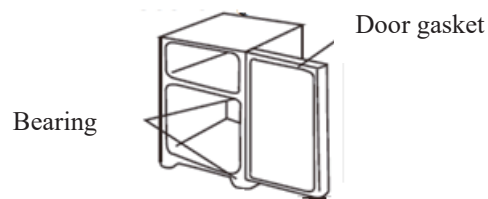
1. To avoid electric shock, fire or injury, please read the user manual carefully before using the appliance and keep it for future reference.
2. This appliance is for household use only. Please use suitable power source. (Please refer to SPECIFICATION)
3. Never immerse the appliance in water or other liquids.
4. Do not use the appliance under direct sunshine.
5. Please turn off the appliance when not in use otherwise it may result in danger.
6. Keep the appliance away from children.
7. The appliance is not intended for use by persons (including children) with reduced physical, sensory or mental capabilities, or lack of experience and knowledge, unless they have been given supervision or instruction concerning use of the appliance by a person responsible for their safety.
8. Children should be supervised to ensure that they do not play with the appliance.
9. With any indication of damage or malfunction, please stop using the appliance immediately to avoid hazards. Contact Shun Hing Electric Service Centre Ltd. for repair. Do not attempt to repair or change any parts by yourself.
10. If the supply cord is damaged, it must be replaced by the manufacturer, its service agent or similarly qualified persons in order to avoid hazards.
11. Please turn off and unplug the appliance before cleaning or maintenance.
12. Clean the surface of the appliance with a dry cloth. Do not use corrosive detergent or solvent to clean. Do not swash the appliance with water. (Please refer to MAINTENANCE INSTRUCTION)
13. Please turn off and unplug the appliance when not in use. Make sure the power is off before pulling out the plug and do not pull the cord.
14. When the appliance is not in use for a prolonged period, please turn it off, unplug it, pack it well, and store it in dry cool place.
15. Forbid to put flammable and explosive objects around the appliance, and do not use the appliance in an environment full of flammable gas and powder. Keep away from any fire and heat sources.
16. Please install a ground wire to prevent hazard of possible electric shock when electricity leaks.
17. Do not splash the refrigerator with water directly to prevent rusting, damage or leakage of electric components due to water immersion.
18. Never put any drink such as beer and soda etc. held in glass bottles in the ice box compartment as the glass bottles may crack or explode due to cubical expansion of frozen water.
19. The plug should not be plugged into the socket again till 7 minutes have passed from unplugging the refrigerator otherwise the compressor will be overloaded and will not operate immediately. The service life of the refrigerator will also be affected.
20. Do not touch the high-temperature components at the back of the refrigerator with bare hands to prevent possible hazards. (Normal temperature of the compressor may reach 80°C)
21. Do not touch the walls of the ice box compartment or frozen food with bare hands to prevent frostbite.
22. Do not use highly combustible objects such as solvents and pesticides in adjacent to the refrigerator to prevent fire.
23. Do not store explosive substances such as aerosol cans with a flammable propellant in this appliance.
24. Never put highly volatile objects such as lacquer thinner, toluene, alcohol, gasoline and etc. into the refrigerator to prevent hazard of fire and explosion.
25. Do not place any fragile object on top of the refrigerator as it may fall down under the vibration caused by opening or closing doors of the refrigerator.

26. Do not let the power cord of the refrigerator touch any high-temperature object at the back of the refrigerator or be pressed by adjustable feet on the bottom to prevent hazard of electricity leakage or electrical fire. Doors of the refrigerator must be closed tightly in use to ensure safety.
27. The more foodstuffs is put in the refrigerator or the more frequent and the longer opened, the more electric consumption will be, which may eventually lead to malfunction.
28. It is better not to place heavy pointed or corrosive objects on the refrigerator.
29. Open the doors as less as possible during power supply breakdown.
30. The refrigerator should be placed with good ventilation and at least 10 cm clearance should be kept between the upper, the backside, the left and the right side of the refrigerator with walls or anything.
31. The refrigerator must be plugged into a specific socket for 220-240V~ and no less than 10A. Do not use any adapter or extension cord.

When disposing the refrigerator:

Please observe the following items:

- Detach or destroy the bearing of the doors of the refrigerator to keep the doors from being tightly closed.
- Detach the door gasket to keep the door from being tightly closed.
- Never leave the refrigerator discarded to any child for playing; beat and depress the body of refrigerator to keep any child from entering the refrigerator prior to discarding. To prevent the danger of any child from being trapped in the refrigerator.
- Follow the instructions of your local regulations when disposing.



WARNING

- Keep the ventilation openings in the appliance enclosure or the built-in structure clear of obstruction.
- Do not use mechanical devices or other means to accelerate the defrosting process.
- Do not damage the refrigerant circuit.
- Do not use electrical appliances inside the food storage compartments of the appliance.
- To avoid hazards due to instability of the appliance, it must be fixed in accordance with the installation instructions.

NOTICE

Refrigerant (R600a) is flammable. The refrigerant is closed in the refrigeration system and it will not leak by usual use. In case of the refrigeration system was damaged, do not use electric items (include electrical products) or fire equipment nearby, and open all windows to provide good ventilation. Please also contact Shun Hing Electric Service Centre Ltd.



CAUTION:risk of fire

INSTALLATION INSTRUCTION

Installing and removing the accessories

- To remove the shelf: Grip the shelf, then lift it straight upward. To reinstall, reverse the procedure.



- To dismantle the flexible door rail: Pull out the tray first then draw the pedestal of the door rail outward. Do not dismantle the tray and the pedestal at the same time.



WARNING: When positioning the appliance, ensure the supply cord is not trapped or damaged.

WARNING: Do not locate multiple portable socket-outlet or portable power supplies at the rear of the appliance.

When being placed on the ground of soil

- If the refrigerator is placed on the ground of soil, please put a 10 cm thick wooden plate under it to prevent rusting or the quality of electric components being affected.
- The appliance should place on a flat ground.

Please use the specific socket

- The refrigerator must be plugged into a specific socket for 220-240V and no less than 10A.

Please put the refrigerator in places with good ventilation

- There should be enough space around the refrigerator for better ventilation and the electricity saving.
- At least 10 cm clearance should be kept between the upper, the backside, the left and the right side of the refrigerator with walls or anything.
- The contact may produce some electric sparks when the refrigerator is started; thus hazard is likely to occur if there is gas around the refrigerator. Please shut down the gas and open all windows and doors in case of gas leakage to ensure safety.

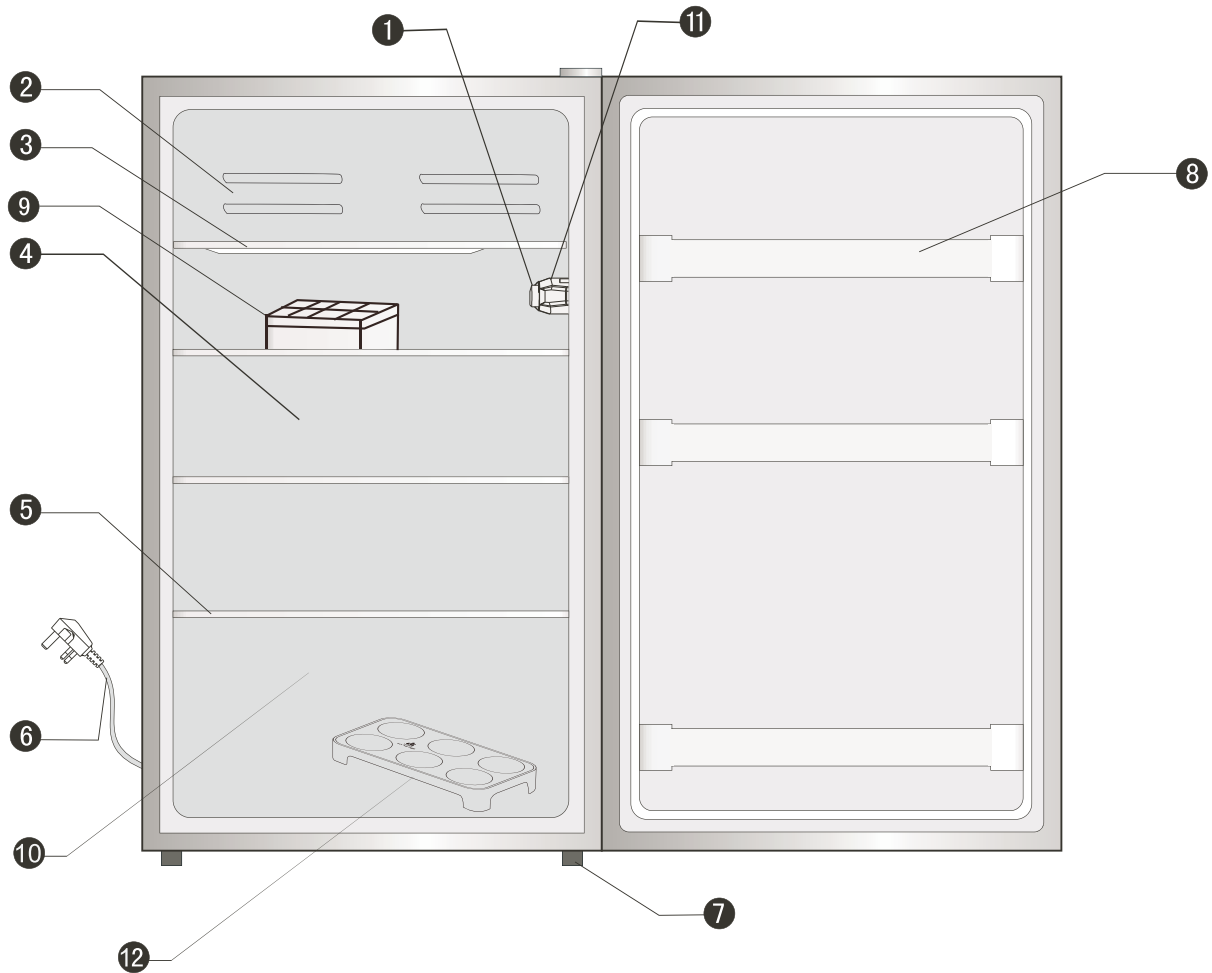
Please put the refrigerator in a place of low humidity

- Do not put the refrigerator in a place of high humidity otherwise the refrigerator will be likely to accumulate moisture and get rusty; the electric components will be easy to fail as well.

Keep the refrigerator away from direct sunlight and hot air

- Do not expose the refrigerator to direct sunlight and hot air otherwise the cooling temperature will not be sufficient and more power will be consumed.

PARTS DESCRIPTION



1. Temperature Control Knob
2. Ice Box Compartment
3. Drip Tray
4. Refrigerating Chamber
5. Glass Shelves
6. Plug

7. Adjustable Feet
8. Guard
9. Ice Cube Box *1
10. Vegetable Basket
11. Lamp
12. Egg tray *1

The sample cutline is a representation of this series of refrigerator, which has similar structure and different capacity.

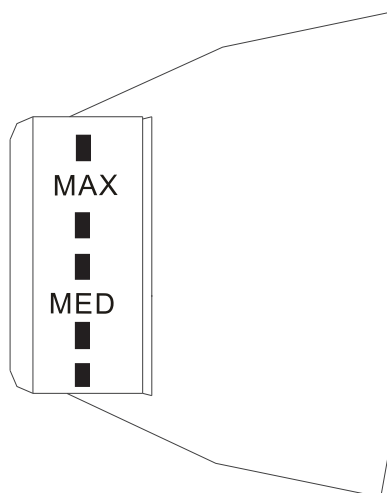
OPERATION INSTRUCTION

Ice Making Procedure

1. Take the ice cube box out of the ice box compartment.
2. Pour cool water into the ice cube box until the water level reaches the water line, then put the ice cube box back into the ice box compartment.
3. Turn over the ice cube box and pour the ice cubes into another vessel after the ice is frozen.

Temperature Control

1. Under normal conditions, the temperature control knob is set at MED.
2. The times of opening door, the ambient temperature and the objects stored in the refrigerator can affect the temperature inside the refrigerator.
3. If the cooling degree inside the refrigerator is not cool enough, set the temperature control knob to MAX to decrease the temperature.
4. If the cooling degree inside the refrigerator is too low, set the temperature control knob to MIN to increase the temperature.



Freezer

- Ice box compartment is not a freezer compartment. It cannot cool ice cream or food.
- The temperature of ice box compartment is not suitable for food cooling. It can be set to the lowest temperature, but other food in the refrigerator will also be affected.

Refrigeration

- Fruits and vegetables should be stored in the vegetable basket. Wrap them with plastic wrap to prevent drying.
- Water-rich foods such as bean curds and vegetable should be stored in the front bottom part of the refrigerator compartment to avoid being frozen.

Placement of food

- There should always be space between food to maintain cool circulation.
- Food should be wrapped tidily to prevent them from becoming dry and odorous.
- Hot foodstuffs should be cooled down before being placed in the compartments. Otherwise the internal temperature of the compartments and electric consumption will increase.

Defrosting

- Too much frost will diminish the cooling effect.
- The freezing unit should be defrosted whenever frost builds up to 7mm.

Defrosting Steps

1. Clear up the refrigerator and set the temperature control knob to OFF; then unplug the refrigerator.
2. Open the door of the refrigerator and wait until the frost melts naturally. Never use any mechanical tool or other tools to accelerate the defrosting process.
3. After the frost melts, pour water out of the drip tray.
4. After defrosting is finished, plug the refrigerator again and set the temperature control knob to the original position; put objects back into the refrigerator again after it operates for 2~3 hours.

MAINTENANCE INSTRUCTION

Doors

- Clean the doors with dry cloth frequently. Never clean it with water directly.
- Never clean the refrigerator with toluene, brush or chemical cloth to prevent damage to the baking finish and internal parts.

Inside of the ice box compartment and refrigerating chamber as well as accessories

- Clean up inside of the ice box compartment and the refrigerating chamber as well as accessories once a month. Before cleaning, take all objects out of the refrigerator and unplug it; any removable accessory should be taken out for cleaning.

Refrigerator Wall

- Beware of the backside of the refrigerator to prevent any cockroach or rat from making nests there.
- The smooth back design hides the cooling tubes in walls of the refrigerator; so please keep the walls clean in order to maintain a food cooling condition.

Emergency Treatment

Stop operation of the refrigerator and unplug it if any abnormal situation occurs (e.g. smell of burning).

- If the refrigerator continues its operation under abnormal conditions, fire and electric shock may happen due to heat radiation.
- Please consult Shun Hing Electric Service Centre Ltd.

Changing the Light

- Any replacement or maintenance of the LED lamps is intended to be made by the repairman of Shun Hing Electric Service Centre Ltd.

TROUBLESHOOTING

The following situations are not malfunction:

- The sides of refrigerator will be heat up while the condenser is working, but this will not influence the cooling performance.
- As the temperature of the compartment will be high when the refrigerator is just started, it will take a span of time to decrease the temperature.
- It is normal for the surface of the compressor to get hot in normal working condition. Do not touch it.
- The water flowing sound is actually the refrigerant (cooling gas) flowing. It is normal.
- Condensation may form on the outside when the humidity is high. It is normal.

If any case of malfunction happens, please inspect and dispel it according to the methods shown in the following table:

Situation	Check point
Not refrigerating	<ul style="list-style-type: none"> • Check if there is a power failure. • Check if the power cord is plugged into the power socket.
Not cooling sufficiently	<ul style="list-style-type: none"> • The food may be packed too tightly together which will block the flow of cool air. • You may have put something hot or a lot of foodstuffs into the refrigerator. • The temperature control knobs may not be set properly. • The door may not have been closed properly. • The door gasket may be damaged. • The refrigerator may not be well ventilated. • There may be insufficient clearance between the refrigerator and the surfaces immediately to the sides and top.
Food frozen in the refrigerator chamber	<ul style="list-style-type: none"> • The temperature control knobs of the compartment may be set to the MAX position for a long time. • Check if the normal surrounding temperature is below 5°C. • Foodstuffs may be packed too tightly.
Water leaks from refrigerator chamber	<ul style="list-style-type: none"> • Check if there is any leakage from objects stored in it.
Noises	<ul style="list-style-type: none"> • Check if the refrigerator is installed firmly. • Check if there is any objects nearby to collide with it.
Compressor does not stop working automatically	<ul style="list-style-type: none"> • Food may be stored too much at one time. • Doors may be opened too frequently or too long. • The temperature control knobs may be set to the MAX position.

In case the above failures appear, please check the refrigerator as per the reasons stated above. If any abnormal phenomenon still appears, please call Shun Hing Electric Service Centre Ltd.

SPECIFICATION

Model No.	RF-A93S
Rated Voltage/Frequency	220-240V~ /50Hz
Rated Current (A)	0.5
Climate Class	ST
Refrigerant	R600a, 20g
Rated Storage Volume (L)	93
Net Weight (kg)	19.8
Gross Weight (kg)	21.7
Product Dimensions (mm) (WxDxH)	472x450x860

SPECIAL AVOWAL

1. The information above has been checked. Our company reserves the hermeneutic power to any printing errors or misunderstanding on the content.
2. If there are technical improvements on the appliance, the operation manual will be updated without any prior notice. The product appearance and color are subject to the actual appliance.
3. The e-copy of user manual can be sent by e-mail on requested, please call Shun Hing Electric Works & Engineering Co. Ltd. hotline at 2861 2767.

AFTER SALES SERVICES

For any defect, in the judgment of technician from Shun Hing Electric Service Centre Limited, caused under normal use, we are responsible for repairing or replacing parts of the said electrical appliance free of charge within one year guarantee period commencing from the date of purchase. Any defective part which has been replaced shall become our property. Guarantee service does not cover the repair or replacement of accessories, power cord or cabinet, etc. Additional charges shall be levied if services are required.

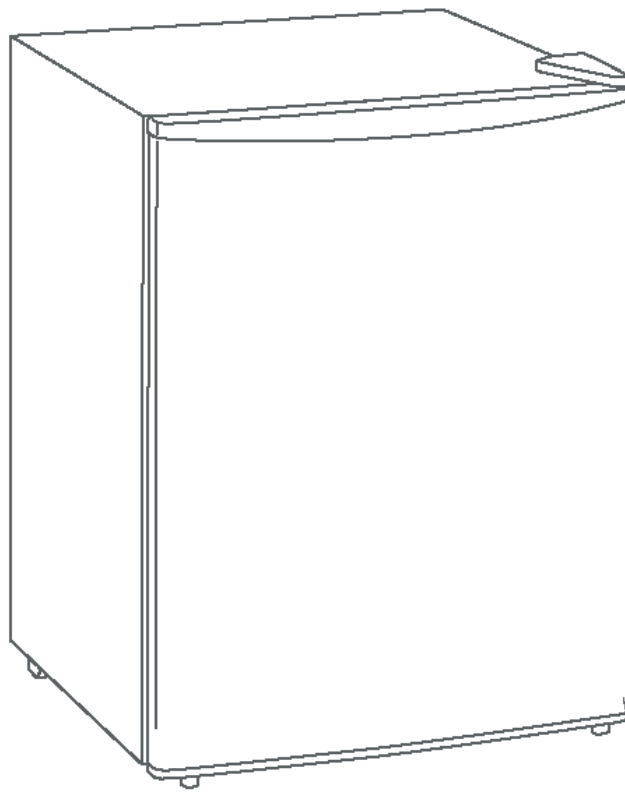
Please present the official invoice and the guarantee certificate with the sales point's chop or the redemption center's chop for free maintenance. For enquiries, please call Shun Hing Electric Service Centre Limited hotline at 2406 5666.

Free guarantee service will not be provided to the appliance if: 1) it has been explicitly or implicitly modified, tampered with, altered or repaired in any way by persons other than technicians of the Company. Or 2) it has been damaged through misuse, negligence, liquid ingress or corrosion, power interruption, natural calamities or accident or external factors. Or 3) it is not a fixed installation on land. Or 4) the normal operation of the appliance is affected by improper installation. Or 5) the domestic model of appliance is used for industrial or commercial purpose. Or 6) the change of location or ownership of the appliance and did not inform Shun Hing Electric Service Centre Limited.



雪櫃

使用說明書



型號: RF-A93S

*使用本產品前，請仔細閱讀本說明書，及所有安全
注意事項，並請妥善保存以備日後參考查閱。
本產品只可在室內使用。

<u>目 錄</u>	<u>頁</u>
安全注意事項	1
安裝說明	3
產品零件介紹	4
操作說明	5
保養指示	6
疑難小百科	7
產品規格	8

注意

- 請聯繫授權的技術人員進行維修或保養本機。
- 除非有安全人員的指導或協助下，並確保使用者的安全，否則本機不可由兒童、體質、感覺或智力有障礙人士或缺乏經驗和相關知識的人士使用。
- 請照顧好小孩，不要讓小孩把玩本機。
- 如果電源線損壞，為免發生意外，立刻停止使用，並交由信興電器服務中心有限公司檢查及維修。切勿私自拆卸，維修及更換非製造商提供的零件。
- 清潔或檢查本機前，必須先關機及拔掉插頭。

安全注意事項

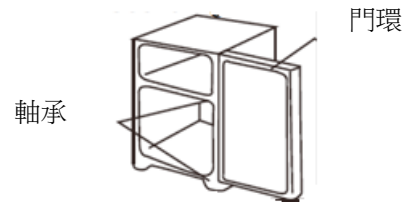
重要安全事項 - 請小心閱讀並妥善保存以備日後參考查閱

1. 為避免觸電、火警或人身傷害的危險，在使用本機前，請仔細閱讀本說明書，並保留作日後參考。
2. 本機只供家庭用途及只能在規定電壓和頻率下使用。(請參考產品規格表)
3. 請勿將本機浸放於水或其他液體中。
4. 請勿在陽光直接照射下使用本機。
5. 為保障安全，不使用本機時，必須關機，以免發生意外。
6. 請確保兒童遠離本機。
7. 除非有安全人員的指導或協助下，並確保使用者的安全，否則本機不可由兒童、體質、感覺或智力有障礙人士或缺乏經驗和相關知識的人士使用。
8. 請照顧好小孩，不要讓小孩把玩本機。
9. 如果本機出現任何損壞或故障，為避免危險，請立即停止使用，並與本公司的維修中心聯繫，讓合資格人員檢查及維修。請勿自行拆卸、檢查或更換不符合安全規格的配件。
10. 如果電源線損壞，為免發生意外，電源線必須由廠方、廠方指定的維修中心或同等合資格的技術人員進行更換。
11. 清潔或檢查本機前，必須先關機及拔掉插頭。
12. 清潔本機時，應用乾布抹擦，不要用任何腐蝕性的洗滌劑或溶劑等產品清潔，及嚴禁用水沖洗。(請參考保養指示)
13. 停止使用時，應先關機並將插頭拔下。拔下插頭前請先關機，不要用手拉拔電源線。
14. 本機長期不使用時，應關機及拔掉插頭，並包裝好本機以防止灰塵進入機內，以及存放於乾爽通風處。
15. 嚴禁擺放易燃、易爆物品在本機周圍，也不可在充滿可燃氣體及粉塵的場合下使用本機。請將本機遠離任何火源及熱源。
16. 請安裝接地線，以免發生漏電時有觸電的危險。
17. 請勿用水直接沖洗雪櫃，以免雪櫃因浸水而生鏽、電氣零件損壞或漏電。
18. 請勿把任何玻璃瓶裝飲料，如啤酒、汽水等放入儲冰室，否則玻璃瓶可能會因液體結冰膨脹而破裂或爆炸。
19. 拔掉插頭後，請稍候 7 分鐘再插上，否則壓縮機將負荷過重而不能立即啟動，並會影響雪櫃的使用壽命。
20. 請勿赤手觸摸雪櫃背面的高溫零件，以免發生危險。(壓縮機的正常溫度可達到 80°C)
21. 避免赤手觸摸儲冰室壁或冷凍食品，以免凍傷。
22. 請勿於雪櫃附近使用高度易燃的物體，如溶劑和殺蟲劑，以免引起火災。
23. 請勿在雪櫃內儲存易燃物質，如含有易燃推進物質的噴霧器。
24. 嚴禁天拿水、甲苯、酒精、汽油等高度揮發性的物品放入雪櫃，以免有火災和爆炸的危險。
25. 請勿放置易碎物品於雪櫃頂部，因開關雪櫃門時的振動可能會使其掉落。
26. 請勿讓雪櫃的電源線觸及雪櫃背面任何的高溫物件或讓底部調節腳壓着，以免發生漏電或火災的危險。在使用中，雪櫃門必須關密，以確保安全。
27. 存放食物越多，雪櫃門打開次數越多或時間越長，則耗電量越大，甚至影響雪櫃正常運作。
28. 請勿放置過重或腐蝕性物品在雪櫃頂板上。
29. 停電時，請盡量不要開雪櫃門。
30. 雪櫃應放置在通風良好的地方，機頂、機背、機身左右與牆壁/其他物品之間要至少保持 10 厘米的距離。
31. 雪櫃必須插在 220-240V 和不少於 10A 專用插座上，切勿使用萬能插座及延長電源線。

當棄置雪櫃時：

請注意以下事項：

- 把門的軸承拆下或敲毀，令雪櫃門不能緊閉。
- 拆下門環，令雪櫃門不能緊閉。
- 請勿棄置於小孩遊玩處，棄置前請把雪櫃打凹，令小孩無法進入，以避免小孩被關在雪櫃而發生危險。
- 棄置雪櫃時，請依從當地法例的指引。



警告

- 保持本機外殼或內置結構的通風口常開並暢通。
- 請勿使用機械裝置或其他方法加快除霜過程。
- 請勿損壞製冷劑的管道。
- 請勿在食品儲存格內使用電子儀器。
- 為了避免因不穩定的設備而發生意外，必須按照安裝說明進行安裝。

注意

製冷劑(R600a)是可燃性的。冷凍劑是密封在製冷系統內，一般使用過程中是不會外泄的。但如製冷系統受到損壞，請不要使用任何電源插座(包括電器產品)及明火，應打開窗戶讓空氣流通，並即時聯絡信興電器服務中心有限公司。



警告：小心防火

安裝說明

安裝和拆卸配件

- 拆卸層架: 握緊層架再向上提起。重新安裝則按相反程序進行。



- 拆卸可調較門擱架: 首先拉出門擱架，然後將門擱架的底座向外拉。不能將門擱架及其底座同時拆卸。



警告：放置設備時，確保電源線未被夾住或損壞。

警告：請勿在本產品後面放置多個可攜式插座或可攜式電源。

當放置泥土地面上時

- 如果放置雪櫃在泥土地面上，請用 10 厘米厚的木板墊高雪櫃，以免生鏽或電子零件受影響。
- 本機應放置在平坦的地面上。

請使用專用插座

- 雪櫃必須插在 220-240V 和不少於 10A 專用插座上。

請把雪櫃放置在通風良好的地方

- 雪櫃周圍應留有足夠空間以達致良好通風和節約電源。
- 機頂、機背、機身左右與牆壁/其他物品之間要至少保持 10 厘米的距離。
- 雪櫃在啟動時，接觸點有可能會產生一些電氣火花，如果雪櫃周圍有煤氣洩漏，會發生危險。萬一煤氣有洩漏時，請關閉煤氣，打開所有門窗，以確保安全。

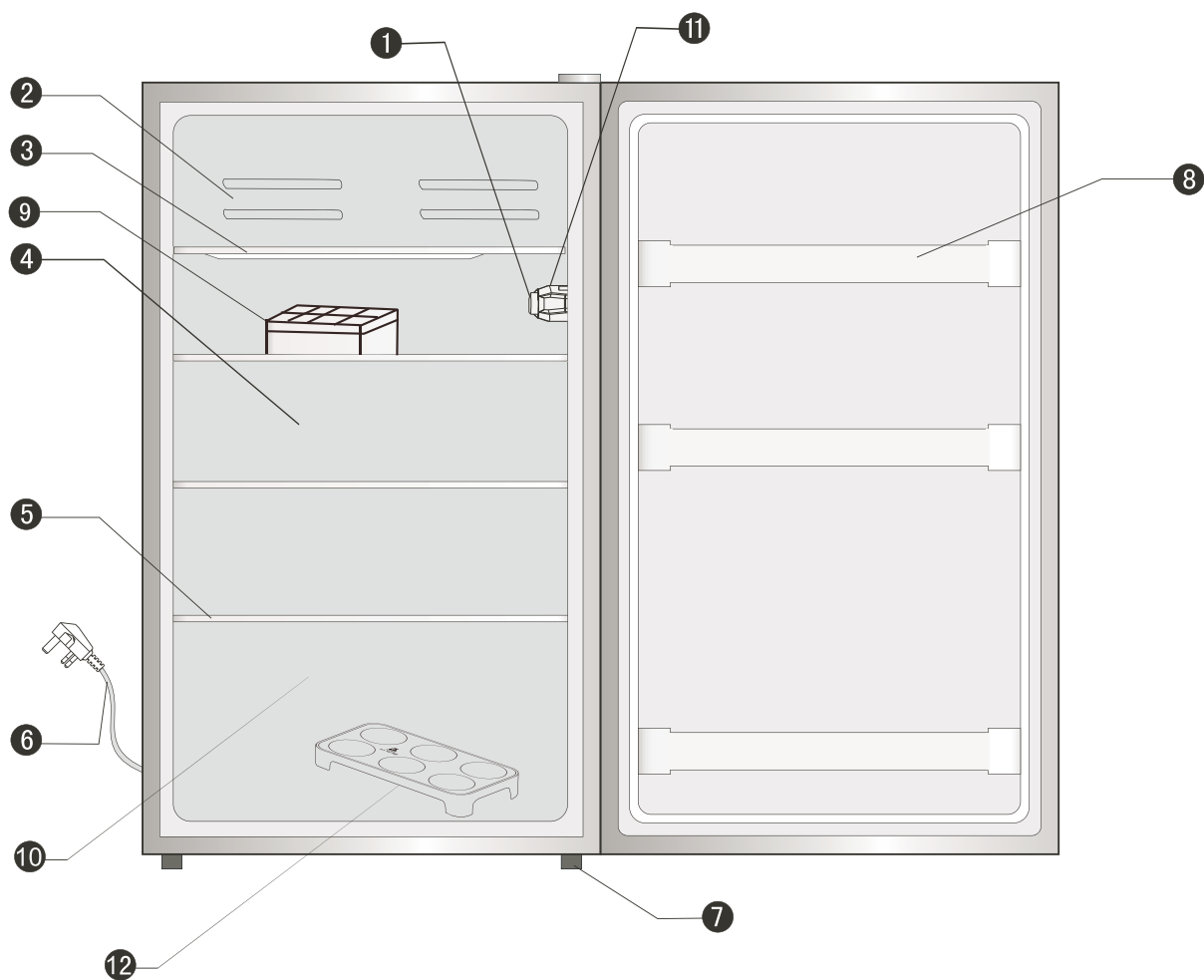
請把雪櫃放置在濕度較低的地方

- 請勿把雪櫃放置在潮濕的地方，否則雪櫃有機會積水和生鏽，電子零件亦會發生故障。

請將雪櫃放置在遠離陽光直射和熱空氣地方

- 請勿把雪櫃直接暴露在陽光和熱空氣中，否則製冷溫度將不足夠，將消耗更多電力。

產品零件介紹



- | | |
|-----------|-----------|
| 1. 溫度控制旋鈕 | 7. 調整腳 |
| 2. 儲冰室 | 8. 檔條 |
| 3. 盛水盤 | 9. 製冰盒 *1 |
| 4. 冷藏室 | 10. 蔬菜盒 |
| 5. 玻璃層架 | 11. 燈 |
| 6. 電源插頭 | 12. 蛋架 *1 |

此圖代表本系列雪櫃，另有類似的結構或不同容量。

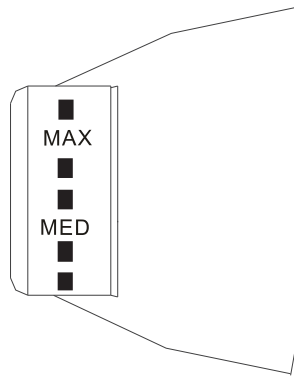
操作說明

製冰程序

1. 從雪櫃取出製冰盒。
2. 將凍開水注入製冰盒直到水位線，然後把製冰盒放回儲冰室中。
3. 當冰塊凝結，反轉製冰盒，將冰塊倒入另一個容器儲存。

溫度調節

1. 一般情況下，溫度控制旋鈕是調整於 MED 的位置上。
2. 雪櫃門開關次數、周邊的溫度、儲存的東西都會影響雪櫃內的溫度。
3. 如果雪櫃內冷度不足時，請將溫度控制旋鈕轉至 MAX 以降低雪櫃內溫度。
4. 如果雪櫃內的冷度過低時，請將溫度控制旋鈕轉至 MIN 使雪櫃內溫度回升。



冷凍

- 儲冰室是雪櫃的一個間室，但它並不是一個真正的製冰室，更不能冷藏雪糕，或冷藏其他物品。
- 這個儲冰室的溫度不足以冷藏食物，它可以被設定至較低的溫度，但其他在雪櫃裡的食物也會受到影響。

冷藏

- 水果和蔬菜應放於蔬菜盒內，並用保鮮紙包好，以防乾燥。
- 水份較多的食物，如豆腐和蔬菜應放在冷藏室下方較外部份，以免結冰。

食物的擺放

- 食物之間必須保留一些空間，以保持冷空氣循環。
- 食物應包裝好，防止乾燥和異味。
- 熱的食物應待冷卻後才放入雪櫃。否則雪櫃內的溫度會上升，而耗電量亦會增加。

除霜說明

- 冷凝器結霜太多，會減低冷凍效果。
- 當結霜厚度超過 7 毫米時，需開始除霜。

除霜步驟

1. 將雪櫃清空，溫度控制旋鈕轉至關(OFF)後，再將電源拔除。
2. 將櫃門打開，靜待結霜自然融化。不可使用機械工具或其他工具來加速除霜過程。
3. 除霜完後，請倒去盛水盤中的水。
4. 再重新插上電源，將溫度控制旋鈕轉回所需位置上，待運轉 2-3 小時之後，再重新將物品放置於雪櫃內。

保養指示

櫃門

- 定期用乾布清潔櫃門，請勿用水直接沖洗。
- 勿使用甲苯、刷子和化學抹布清潔雪櫃，以免損壞烤漆和內部零件。

儲冰室和冷藏室內部及配件

- 每月一次清潔儲冰室和冷藏室內部及配件。清潔之前，取出所有物品並拔掉插頭。可取出的附件亦應取出清洗。

雪櫃外壁

- 注意雪櫃背面，以防蟑螂或老鼠聚集。
- 平背式設計隱藏散熱管在雪櫃壁中，所以請保持雪櫃壁清潔，以保持良好散熱。

緊急處理

如果有任何異常情況（如燒焦味等），立刻停止雪櫃的運作操作及拔掉插頭。

- 如果在異常情況下仍繼續使用雪櫃，有可能因發熱而導致火災及觸電。
- 請聯絡信興電器服務中心有限公司。

燈部件更換

- 任何LED燈更換或維修都必須由信興電器服務中心有限公司維修人員進行操作。

疑難小百科

下列情況並非故障：

- 雪櫃的側面將會因冷凝器的運作而變熱，但不影響冷卻性能。
- 當雪櫃剛啟動時，因雪櫃內溫度較高，製冷時間會較長。
- 當壓縮機正常運作時，其表面溫度較高，此乃正常現象，請勿觸摸。
- 流水聲是雪種（冷卻氣體）流動時所產生的聲音，這是正常的聲音。
- 當環境濕度較高時，水珠有機會凝結於雪櫃表面，這是正常現象。

如果發生任何故障，請根據下表中的方法檢查：

狀況	檢查方式
不能製冷	<ul style="list-style-type: none">• 檢查是否有電源故障。• 檢查電源線是否插入電源插座。
製冷不足夠	<ul style="list-style-type: none">• 儲存食物太密集而阻止冷空氣流動。• 儲存了熱的東西或擺放了太多食物。• 溫度控制旋鈕可能沒有妥善設置。• 櫃門可能沒有妥善關閉。• 門環可能已損壞。• 雪櫃並沒有保持良好通風。• 雪櫃與側面和頂部之間沒有足夠的空間。
冷藏室的食物結冰	<ul style="list-style-type: none">• 溫度控制旋鈕可能長時間設置於 MAX 的位置。• 檢查周圍環境溫度是否低於 5°C。• 食物存放可能過於擠迫。
冷藏室漏水	<ul style="list-style-type: none">• 檢查是否有任何食物有漏水情況。
噪音	<ul style="list-style-type: none">• 檢查雪櫃是否安裝穩固。• 檢查附近是否有其他物品與雪櫃碰撞。
壓縮機不能自動停止運作	<ul style="list-style-type: none">• 可能一次存放過多食物。• 櫃門可能經常開啟或開啟時間太長。• 溫度控制旋鈕可能設置於 MAX 的位置。

如果出現上面的故障，請按上述指示檢查雪櫃。如果仍然發現有任何不正常的現象，請聯絡信興電器服務中心有限公司。

產品規格

型 號	RF-A93S
額定電壓/頻率	220-240V~/50Hz
額定電流(A)	0.5
氣候類型	ST
製冷劑	R600a, 20g
冷藏室標稱有效容積(L)	93
淨重(kg)	19.8
毛重 (kg)	21.7
產品尺寸(mm) (WxDxH)	472x450x860

特別聲明

- 1)本資料上所有內容經過認真核對，如有任何印刷及內容上的誤解，本公司將保留解釋權。
- 2)本產品若有技術改進，會編進新版說明書中，恕不另行通知；產品外觀及顏色如有改動，則以實物為準。
- 3)用戶如需要電子版使用說明書，請致電信興電工工程有限公司熱線查詢：2861 2767。

售後服務

由購買日期起之一年保修期內，經信興電器服務中心有限公司之服務人員證實乃在正常使用之情況下發生者，本公司將提供免費修理及更換零件。經更換之任何損壞零件，將歸屬本公司。保修範圍不包括修理或更換產品之附件、電源線及機殼等，如有需要服務時，用戶須另付費用。

用戶請於維修時出示購買收據 / 換購收據及保修證，如有任何疑問，請致電信興電器服務中心有限公司熱線查詢：2406 5666。

如在保修證內所列之電器：1.) 曾經被非本公司技術人員明顯地或非明顯地進行改裝、更改或修理；或 2)曾經被錯誤或不適當或疏忽使用、或因液體浸蝕、水濺、不正常供電、天災、意外或外來因素造成損壞；或 3)並非安裝在陸上固定地點；或 4)不當安裝位置影響正常操作；或 5)非工商業用型號產品，被用作工商業用途；或 6)用戶搬遷地址或更換物主而未能及時通知信興電器服務中心有限公司者，保修證將自動失效。

Rasonic 樂信牌

信興電工工程有限公司

SHUN HING ELECTRIC WORKS & ENGINEERING CO., LTD

辦公室: 香港九龍尖沙咀東部麼地道 67 號半島中心 9 樓

OFFICE: 9/F, PENINSULA CENTRE, 67 MODY ROAD, TSIMSHATSUI EAST, KOWLOON, HONG KONG

電話 TEL: (852) 2861 2767 傳真 FAX: (852) 2865 6706

網址 WEBSITE: www.rasonic.com 電郵 EMAIL: shew@shunhinggroup.com



保養及維修 MAINTENANCE AND REPAIR SERVICE

信興電器服務中心有限公司

SHUN HING ELECTRIC SERVICE CENTRE LTD.

辦公室: 香港新界葵涌勝耀街2號信興中心11樓

OFFICE: 11TH FLOOR, SHUN HING CENTRE, 2 SHING YIU STREET, KWAI CHUNG, NEW TERRITORIES, HONG KONG

電話 TEL: (852) 2406 5666 傳真 FAX: (852) 2408 0316

網址 WEBSITE: www.shesc.com

消耗品/附件銷售熱線 CONSUMABLES/ ACCESSORIES SALES HOTLINE

電話 TEL: (852) 2406 5666

客戶服務中心 CUSTOMER SERVICE CENTRES

香港新界葵涌勝耀街2號信興中心1樓

1ST FLOOR, SHUN HING CENTRE, 2 SHING YIU STREET, KWAI CHUNG, NEW TERRITORIES, HONG KONG

電話 TEL: (852) 2406 5439 傳真 FAX: (852) 2408 1389

澳門慕拉士大馬路193-199號南嶺工業大廈5樓I座

RF/A/2303

AVENIDA DE VENCESLAU DE MORAIS, NO. 193-199, 5 ANDAR-I, EDF. INDUSTRIAL NAM LENG, MACAU

電話 TEL: (853) 2836 2928 傳真 FAX: (853) 2833 6405

有關最新之客戶服務中心資訊, 請參閱信興服務中心網址 www.shesc.com或致電維修服務熱線查詢。

For the latest information of customer service centres, please visit www.shesc.com or call us at our hotline.

RF/A/2303